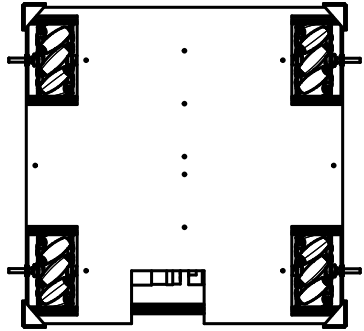


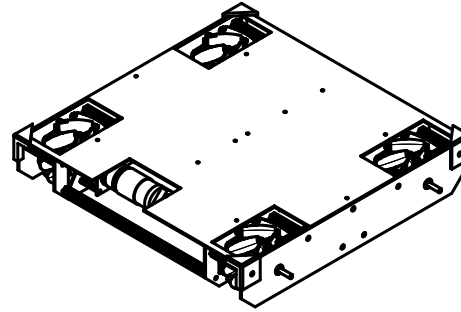
2

1

top view



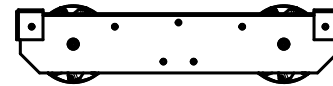
isometric view



front view



side view



UNLESS OTHERWISE SPECIFIED,  
DIMENSIONS ARE IN INCHES

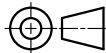
.XX = ±.0-  
.XXX = ±.00-  
.XXXX = ±.000-  
ANGULAR = ± °  
FRACTIONAL = ±

SURFACE FINISH

DO NOT SCALE DRAWING

BREAK ALL SHARP EDGES AND  
REMOVE BURRS

THIRD ANGLE PROJECTION



NAME DATE

DRAWN Mark Hazen 01/29/2019

CHECKED Drew Busch 2/18/19

APPROVED Kristi Hazen 2/19/19

TITLE **Wheel Base**

SIZE DWG NO. **4** REV.

SCALE **1:10** WEIGHT SHEET **1 of 3**

2

1

B

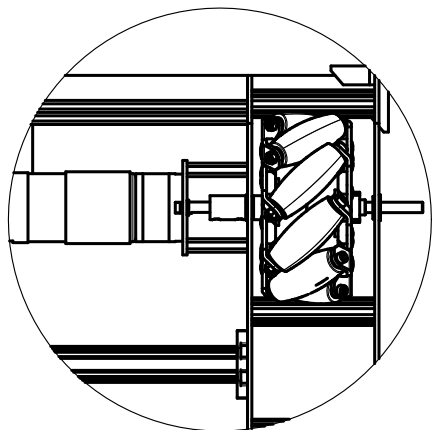
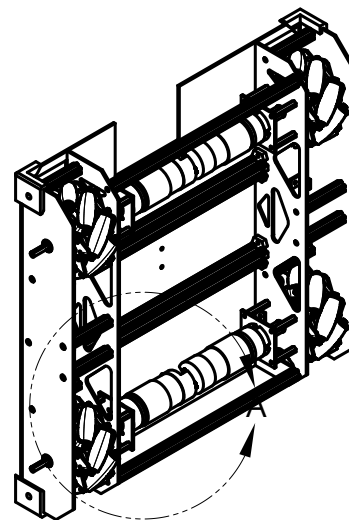
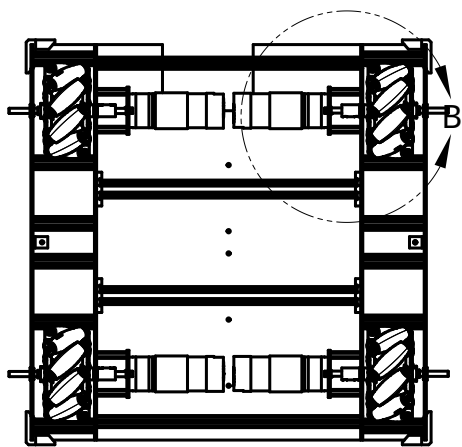
B

A

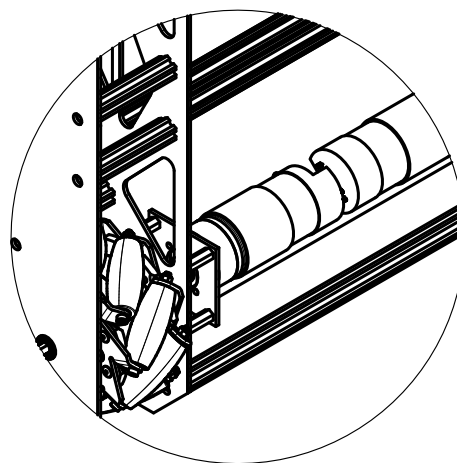
A

2

1



DETAIL B  
SCALE 1:4



DETAIL A  
SCALE 1:4

2

1

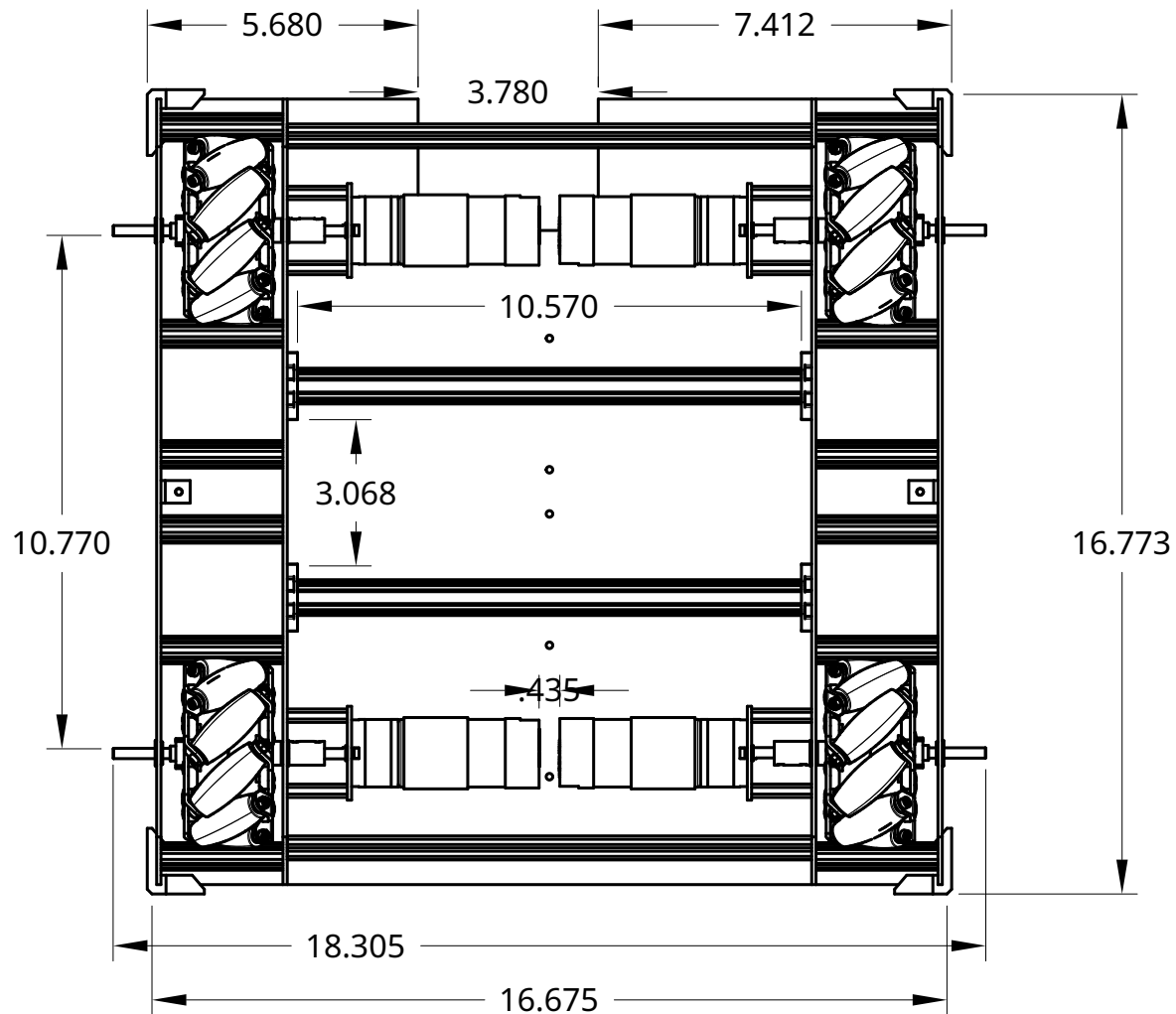
DWG NO.	4	SIZE	SCALE	1:8	SHEET	2 of 3	REV.
---------	---	------	-------	-----	-------	--------	------

2

1

B

B



A

A

2

1

DWG NO.	4	SIZE	SCALE	1:4	SHEET	3 of 3	REV.
---------	---	------	-------	-----	-------	--------	------